

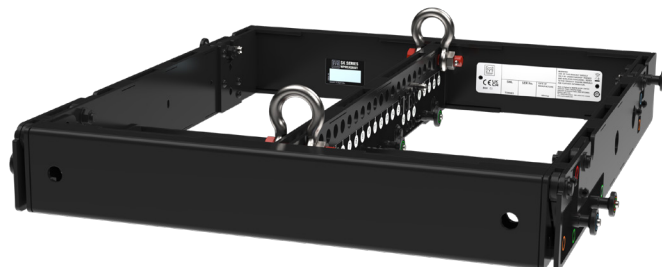
WPMSXGRIDT



TOURING FRAME FOR WPM, SXCF115 OR WPM WITH SXCF115

Features

- Captive 3-point rigging system for WPM
- 4-point rigging system for SXCF115
- Fly up to 24 WPM or up to 16 SXCF115
- Fly up to 3 SXCF115 combined with up to 12 WPM below (requires two WPMSXGRIDT, one above the SXCF115 and one between the SXCF115 and the WPM)
- Ground stack (also requires WPMOUTRIG) up to 8 WPM or a combination of up to 6 WPM with up to 2 SXCF115 below
- Inclinator sensor mounting point
- 1 or 2 point pick-up
- Available in black (WPMSXGRIDT) or white (WPMSXGRIDT-W)
- Optional flight case WPMSXGRIDTFC (for two WPMSXGRIDT)



Applications

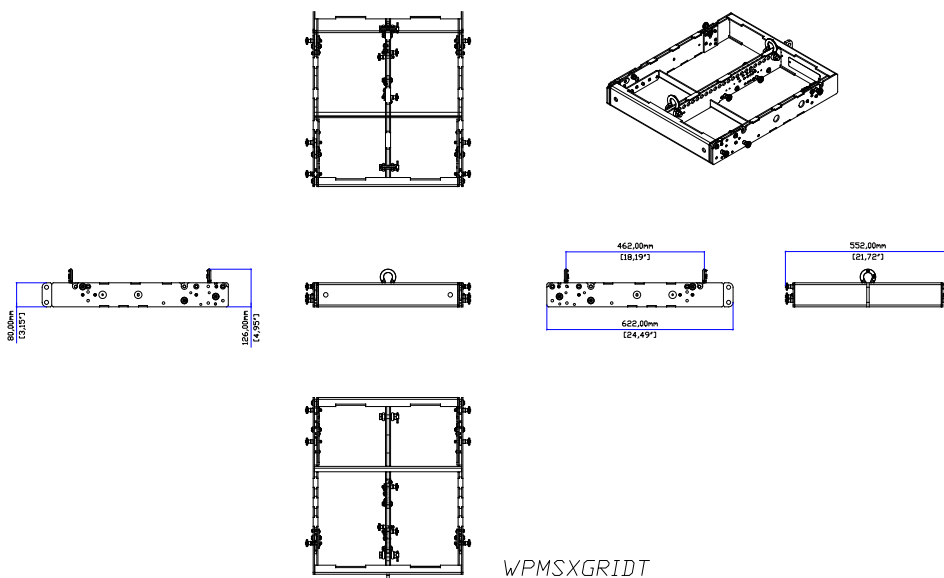
- Touring flown or ground stacked WPM, SXCF115 or combination arrays of WPM with SXCF115.

Contents

- 1 x Flying Frame
- 2 x 1.5t Shackles
- 11 x Fly pins

Technical Specifications

Weight:	17.2kg 37.9lb
Material:	Weatherised Polyester Powder coated steel



WPMSXGRIDT